

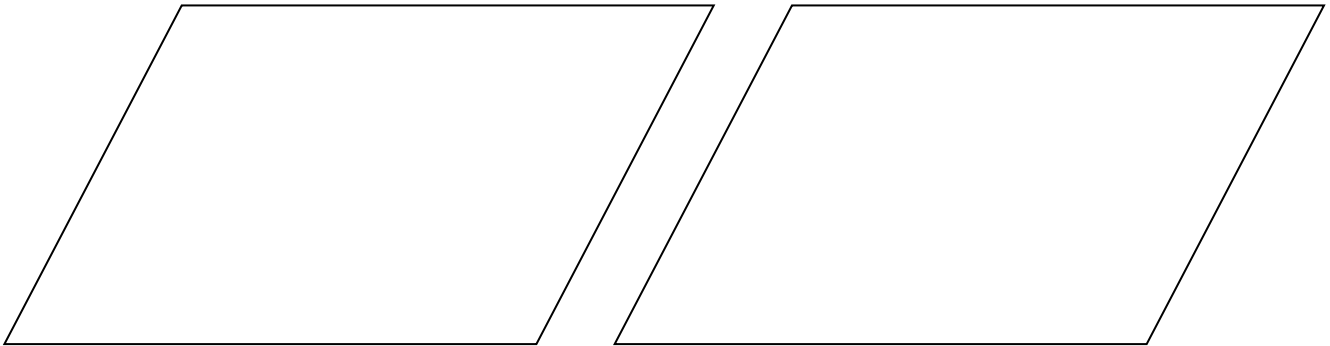
Name:

Date:

Class:

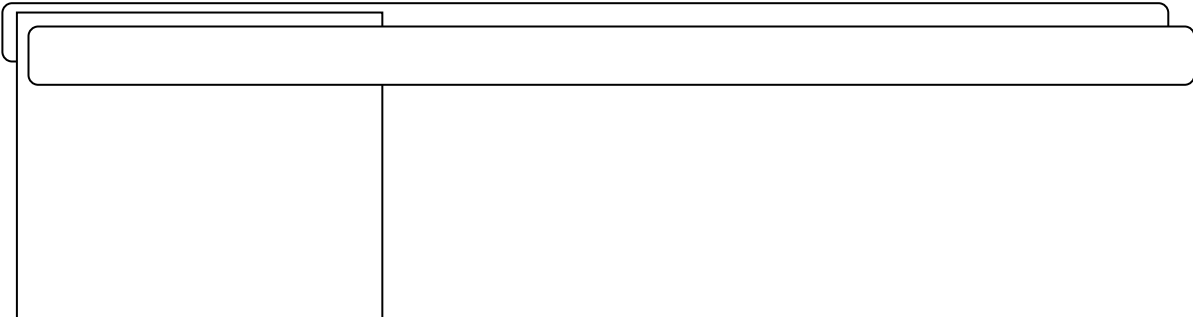
Agricultural Engineering: Cutting through Soil Activity- Plow Design Template

Moldboard / Plowshare Pieces (Use as Patterns)

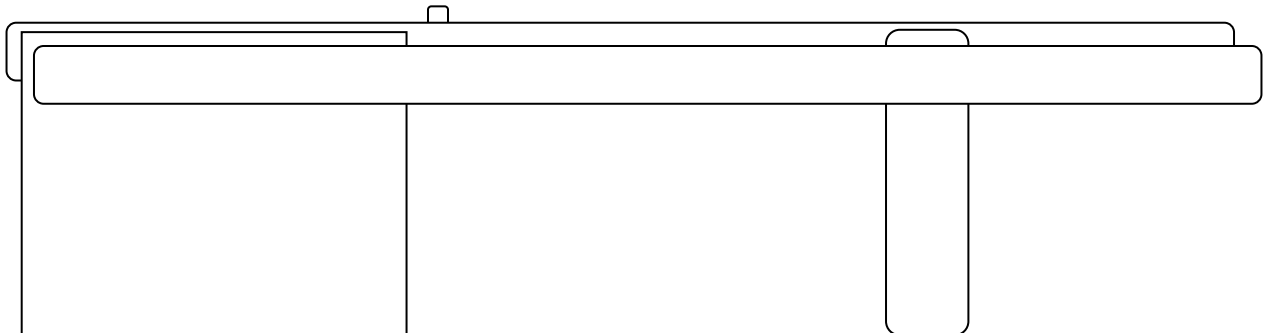


To make the plow:

1. Tape the square in between two popsicle sticks:



2. Add a coulter to the front (you can design this), and a place to add weight for testing.

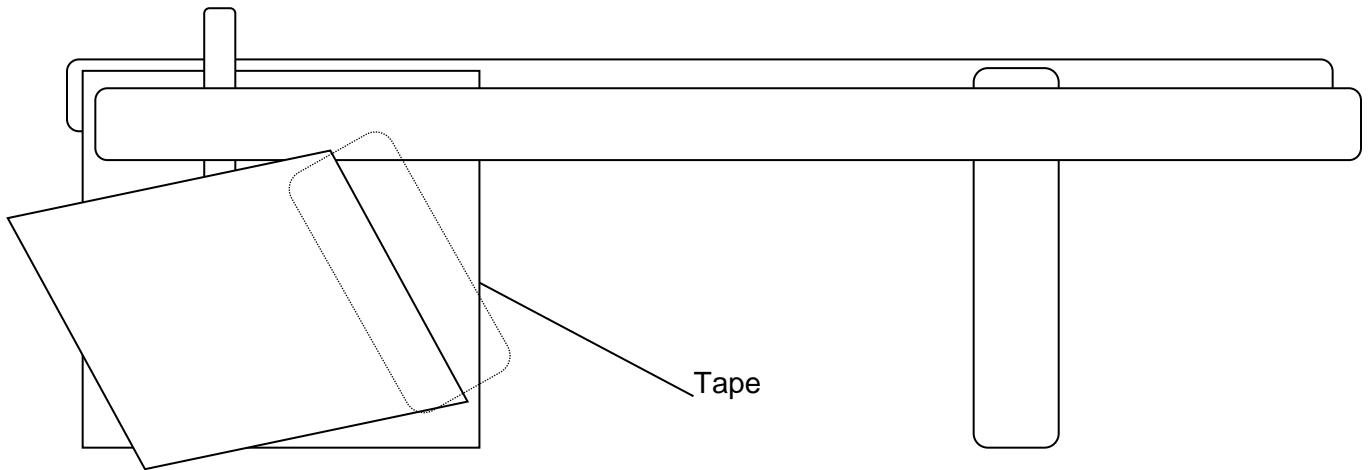


Name:

Date:

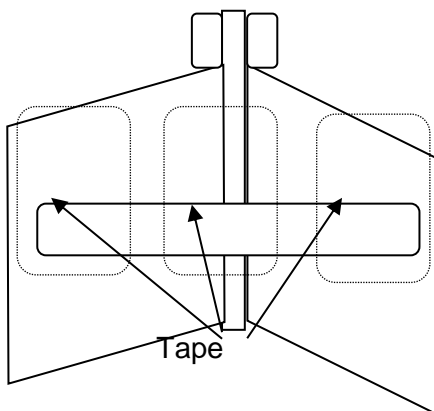
Class:

- Next, Tape the sides of the moldboard onto the rectangular piece. You can adjust the angle to what you think would be best. Tape a popsicle stick along the back to hold the moldboard pieces in place. You can choose how wide apart they are.



- Add additional supports and pieces if you would like. Don't forget to add something at the front for a hitch!

Back View



Front View

